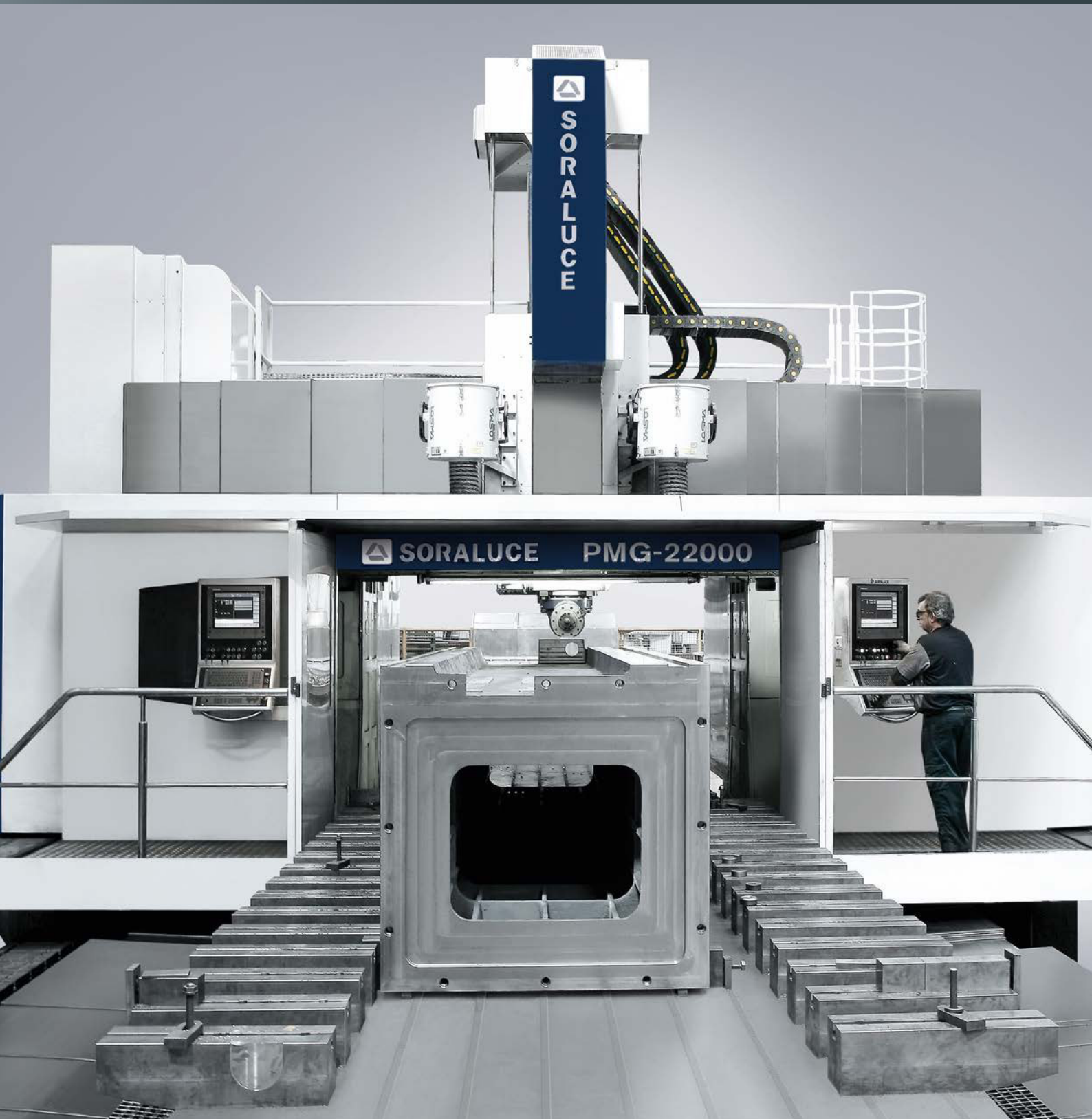




SORALUCE

**PMG
PXG-W
PRG-W**

GANTRY TYPE MACHINES



PMG/PXG-W/PRG-W GANTRY TYPE MACHINES

MULTI-PURPOSE VERTICAL MACHINING CENTRE

HIGH PERFORMANCE, ROBUST MACHINING

Greater accuracy and higher efficiency



PMG/PXG-W/PRG-W GANTRY TYPE MILLING-BORING MACHINE

Its modular design makes it remarkably versatile, as it can be equipped with a wide range of optional accessories, and efficiently and precisely customised for any specific customer need.

It is the ideal machine for sectors such as the energy sector, shipbuilding, rail and capital goods.

Strong Technology, enhanced Precision

BACKGROUND CONCEPTS

Precision

The machine configuration guarantees high rigidity of the machine and optimum machining efficiency.

The machine undergoes specific reliability and precision testing, pursuant to the demanding SORALUCE standards.

High performance

High feed forces of all the axes and quill spindle, resulting in high stock removal capacity.

Its heavy duty design and high dynamics provides optimum power and cutting speed capacity.

Robustness

Rigid and stable design for the highest precision, all main machine elements made of cast iron.

The machine has been developed using the finite elements method and tested for maximum rigidity to reduce vibration problems to a minimum.

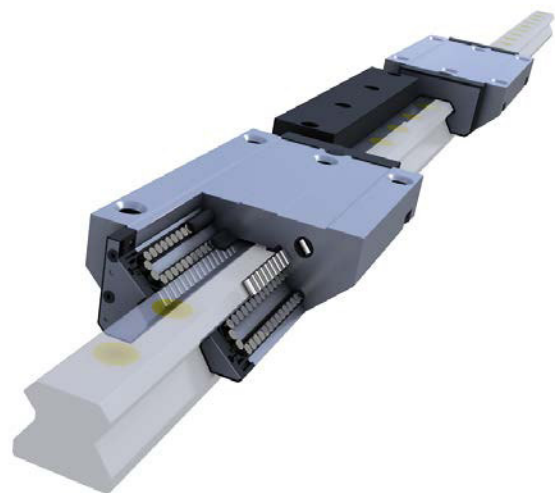
CONSTRUCTION CHARACTERISTICS

Combined guiding and damping system

The linear guiding system with recirculating cylindrical rollers on each axis (X-Y-Z) and our own specifically developed hydrostatic damping elements (Y-Z) guarantees great stability and high precision.

The guiding system incorporates hydrostatic damping pads between the recirculating cylindrical rollers, thus eliminating any vibration during machining processes.

This system guarantees high dynamics, minimum maintenance, low heat levels and reduced grease consumption.



Driving system

The longitudinal and transversal axes are driven by two servomotors, two gearboxes and a double rack and pinion. The vertical axis is driven by preloaded ball screws with double recirculating nuts. Its heavy duty design and high dynamics provides the optimum in power and cutting speed capability.

SORALUCE MILLING-BORING HEADS

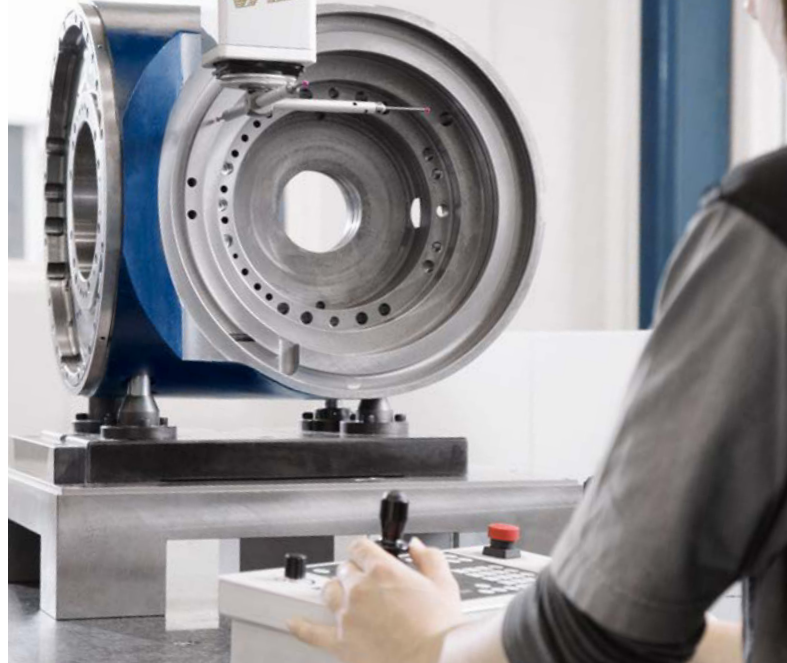
SORALUCE Milling-Boring Heads are well known for being first class thanks to their reliability.

The broad range of SORALUCE heads (Universal, Orthogonal, Horizontal, Angular, etc.) are distinguished by their precision and high performance, enabling accurate complex milling, boring, drilling, reaming and tapping operations.

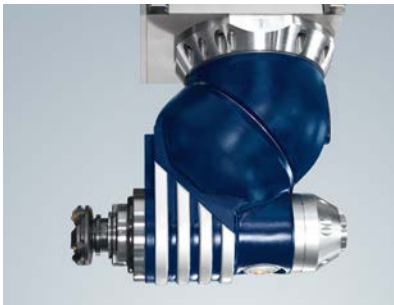
Complete design, manufacturing, assembly and verification processes are conducted in-house, under the same roof, by an experienced team of highly skilled designers and assembly engineers.

To ensure high quality heads, the workshop is equipped with state-of-the-art, temperature and humidity controlled, high precision manufacturing machinery and assembly equipment.

With strict in-process quality controls and exhaustive run-off on specific test benches, SORALUCE certifies the highest quality for the most critical elements on this kind of machines.

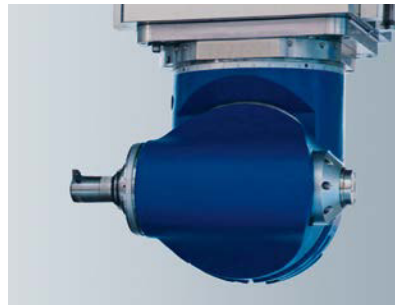


MILLING AND BORING HEAD RANGE



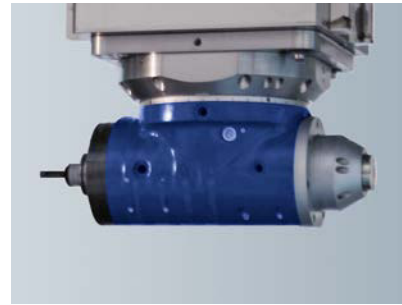
Universal head

46 kW
2,5° x 2,5° / 1° x 2,5° / 0,001° x 0,001°
2500 / 4000 / 5000 / 6000 rpm



Orthogonal head

46 kW
1° x 1° / 1° x 0,001°
2500 / 4000 / 6000 rpm



Heavy duty angular head, 2,5° positioning

46 / 75 kW
2500 rpm



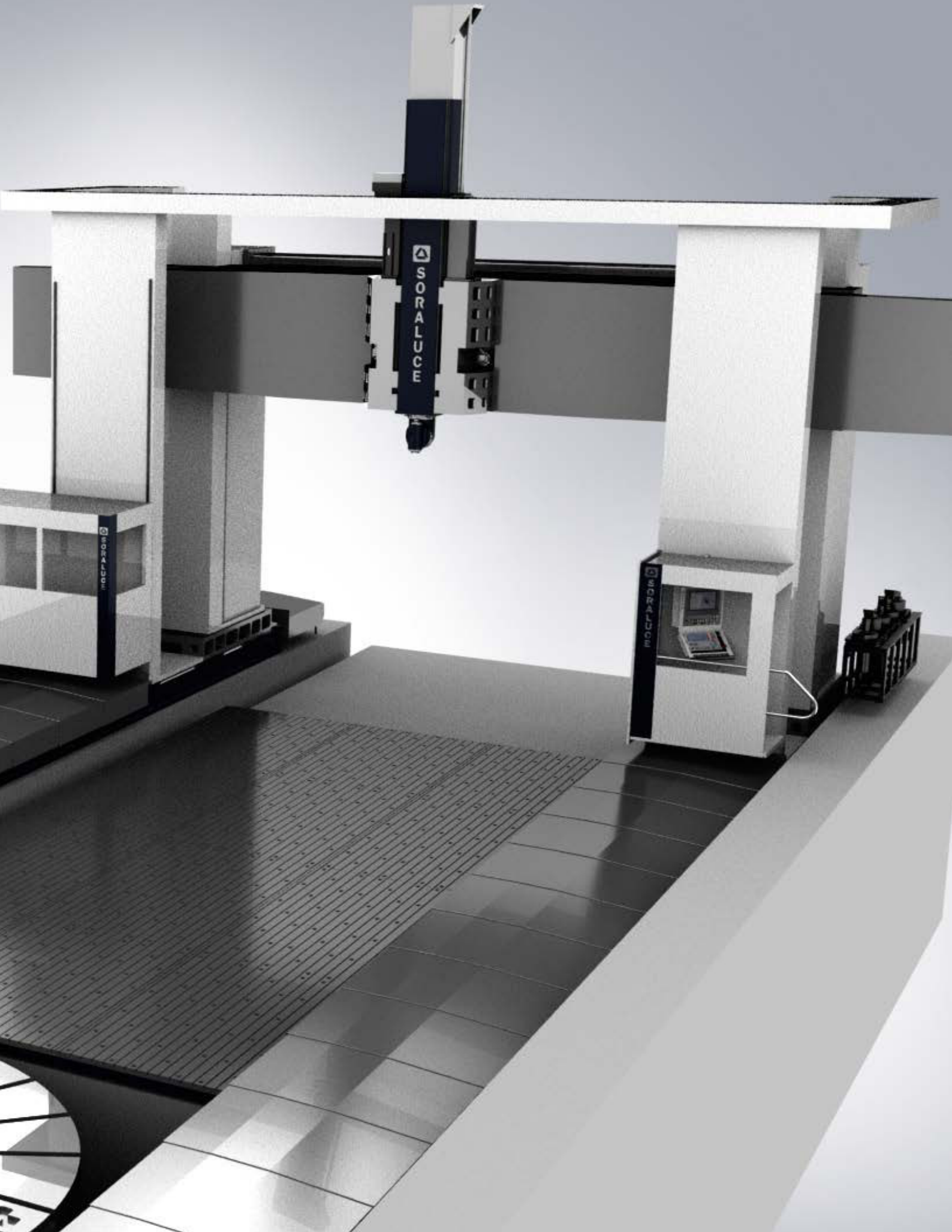
Fixed direct boring head

46 / 60 / 70 / 100 kW
2500 / 4000 / 5000 rpm



Angular head with 2,5° o 1° positioning





TECHNICAL SPECIFICATIONS **PMG**

CHARACTERISTICS		PMG
Longitudinal traverse "X" axis	mm	6000 - 8000 - 10000 - n x 2000
Cross traverse "Y" axis	mm	3950 / 4450 / 4950 / 5450
Vertical traverse "Z" axis	mm	1600
Clearance between columns (mm)	mm	3300 / 3800 / 4300 / 4800
Clearance height (mm)	mm	2300
Floor plate width	mm	2000 / 2500 / 3000 / 3500 / 4000
Spindle Power	kW	46
Spindle nose taper		ISO-50 / HSK-100
Spindle speed range	rpm	4000 / 5000 / 6000
Rapid traverse	mm/min	25000
CNC system		HEIDENHAIN TNC 640 / SIEMENS 840 D sl
Coolant system		External coolant system over a ring / Internal coolant system up to 70 bar
Tool magazine	N° tools	60 / 80 / 100 / 120 / 150

TECHNICAL SPECIFICATIONS **PXG-W / PRG-W**

CHARACTERISTICS		PXG-W	PRG-W
Longitudinal traverse "X" axis	mm	8000 - 10000 - 12000 - n x 2000	
Cross traverse "Y" axis	mm	6500 - 7500 - 8500 - 9500	5000 - 6000
Vertical traverse - Ram "Z" axis	mm	2100 - 2600	1500 - 1900
Vertical traverse - Bridge "W" axis		3000 - 4000	1500 - 2000
Clearance between columns (mm)	mm	5000 - 6000 - 7000 - 8000	4500 - 5500
Clearance height (mm)	mm	2000 ÷ 6000	3425 - 3925
Floor plate width	mm	4000 - 5000 - 6000 - 7000	3000 - 3500 - 45000 - 4500
Spindle Power	kW	46 / 70 / 100	46 / 70
Spindle nose taper		ISO-50 / HSK-100	
Spindle speed range	rpm	2500 / 3000 / 4000 / 5000 / 6000	
Rapid traverse	mm/min	X= 12000, Y / Z=20000	
CNC system		HEIDENHAIN TNC 640 / SIEMENS 840 D sl	
Coolant system		External coolant system over a ring / Internal coolant system up to 70 bar	
Tool magazine	N° tools	60 / 80 / 100 / 120 / 150 / 300	

SORALUCE GLOBAL SOLUTIONS



Bed type milling centre



Floor type multi-function milling boring machines



Multitasking milling-turning centre



Vertical turning centres

YOUR LIFECYCLE PARTNER



**PROJECT
MANAGEMENT**



**PERSONNEL
TRAINING AND
PRODUCTION
ASSISTANCE**



**TECHNICAL
ASSISTANCE BY
LOCAL SERVICE
ENGINEERS**



**SPARE PARTS
MANAGEMENT**



**MINIMUM
RESPONSE TIME**

DANOBTGROUP

SORALUCE
Osintxu auzoa
P.O. Box 90
E-20570 BERGARA (Gipuzkoa) Spain

Tel.: +34 943 76 90 76
Fax: +34 943 76 51 28
soraluce@soraluce.com
www.danobatgroup.com

